

# NJP371 Series

## Features

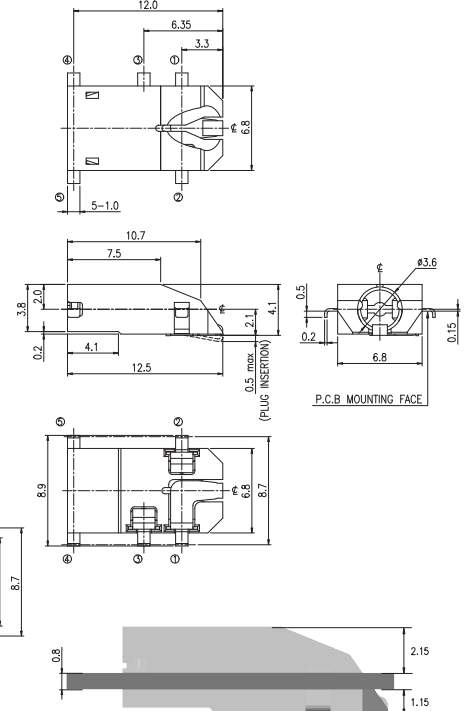
Lead Free    HF    RoHS

- 3.5 φ
- CTIA / OMTP Compliance

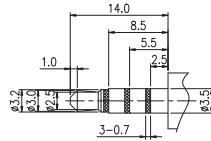
SMT - D Type    12.5L x 6.8W x 4.1H

Product No.	Package
NJP371-103T	1,200 Pcs/Reel

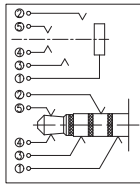
Outline Drawing



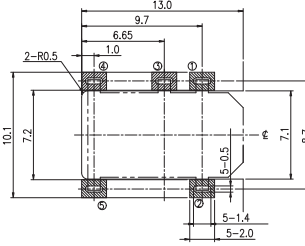
Applicable Plug



Schematic



P.C.B Layout



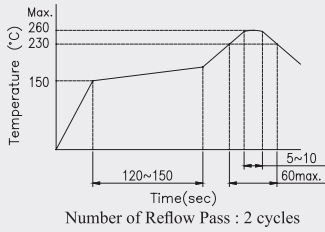
General Tolerance : ±0.2mm.

NEW



Rating	DC12V 1A max.
Contact Resistance	100mΩ max.
Insulation Resistance	DC500V -100MΩ min.
Withstand Voltage	AC500V - 1 minute
Insertion Force	0.4 ~ 2.0 Kgf
Extraction Force	0.3 ~ 1.5 Kgf

Recommended Reflow Soldering Profile



Recommended Manual Soldering Profile

	Temperature	Time
Manual Soldering Temperature	350 °C (max.)	3 Sec.(max.)

The solder iron and solder shall be applied at a distance of 1.91 mm to 2.54 mm from the plastic housing.

Durability    5,000 cycles